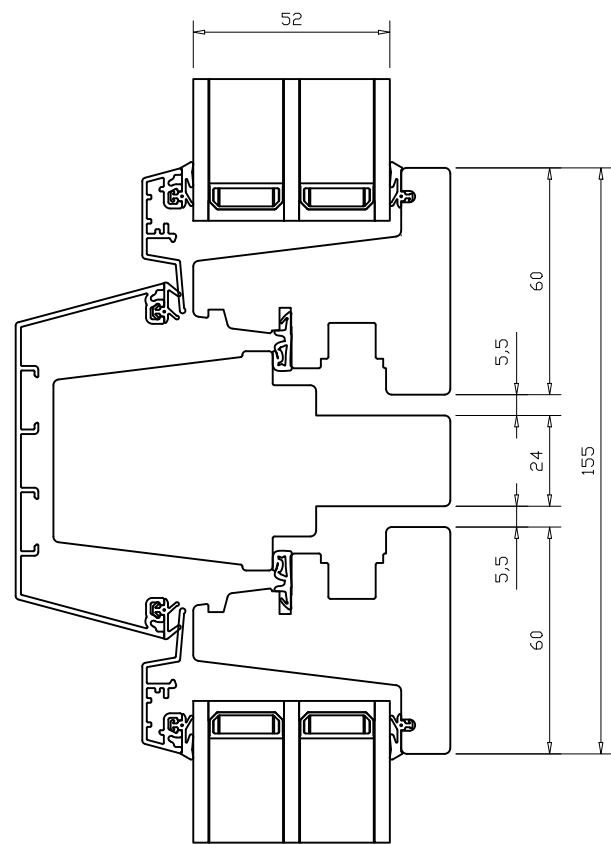
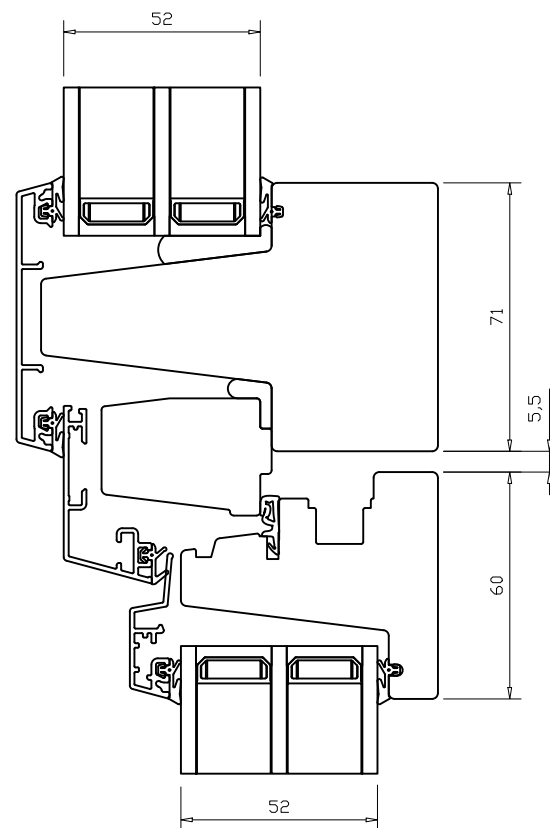


GENP FI SHI\_SC 2L  
GENP FI TITU\_SC 2L

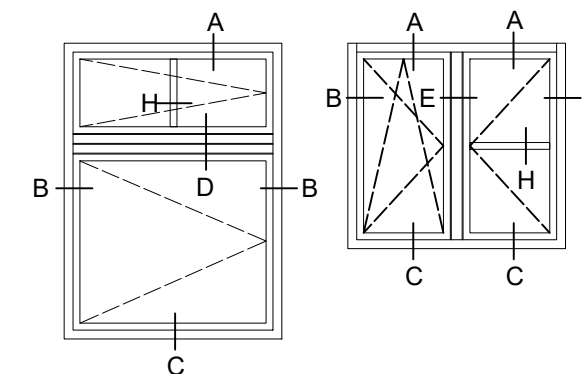
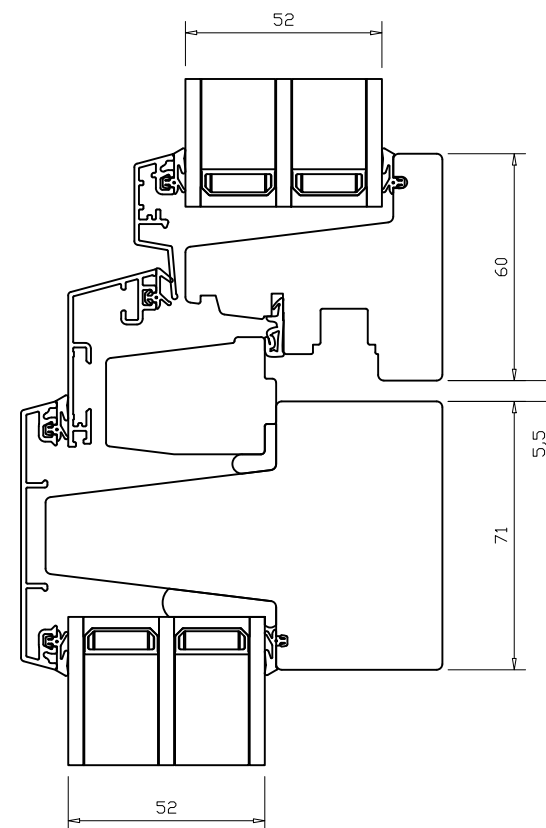
D: (3014.3801)



F: (3014.3862)

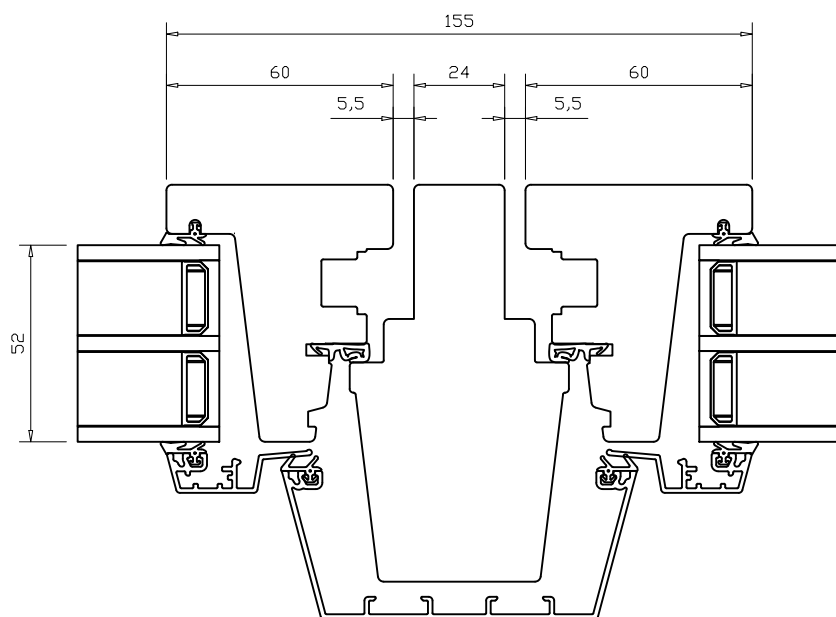


G: (3014.3804)

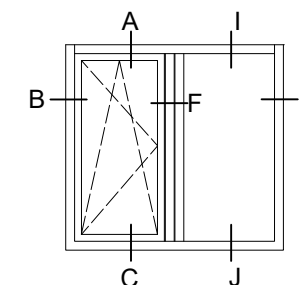
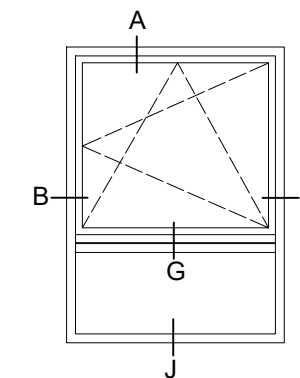
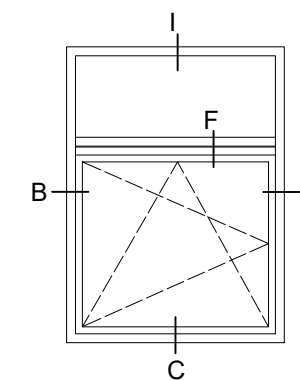
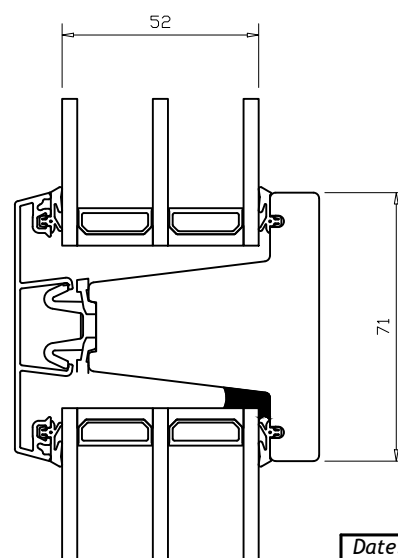


GNP/GENP FL/FI TITU\_SC  
GNP/GENP FL/FI SHI\_SC

E: (3014.3800)



H: (3014.3867)



Date.	Design.	Approved.	Ver. no.	Rev. date.	Scale.	Tolerance. ±0,2mm. Any different are defined at drawing	Drawing no.
13.3.2024	KS	-	2	23.8.2024	1:2		Marketing drawing NATRE GENP-GNP FL-FI(TITU_SHI) V2

Natre Nordic Edge Innadslående (vippe/dreie, sidehengt)  
2-rams, Kombinasjoner fast/åpning og sprosset  
tre/alu med 3-lag glass (52mm)

**natre**  
VINDUER

**Natre Vinduer AS**  
Engenvein 1  
2827 HUNNDALEN  
NORWAY