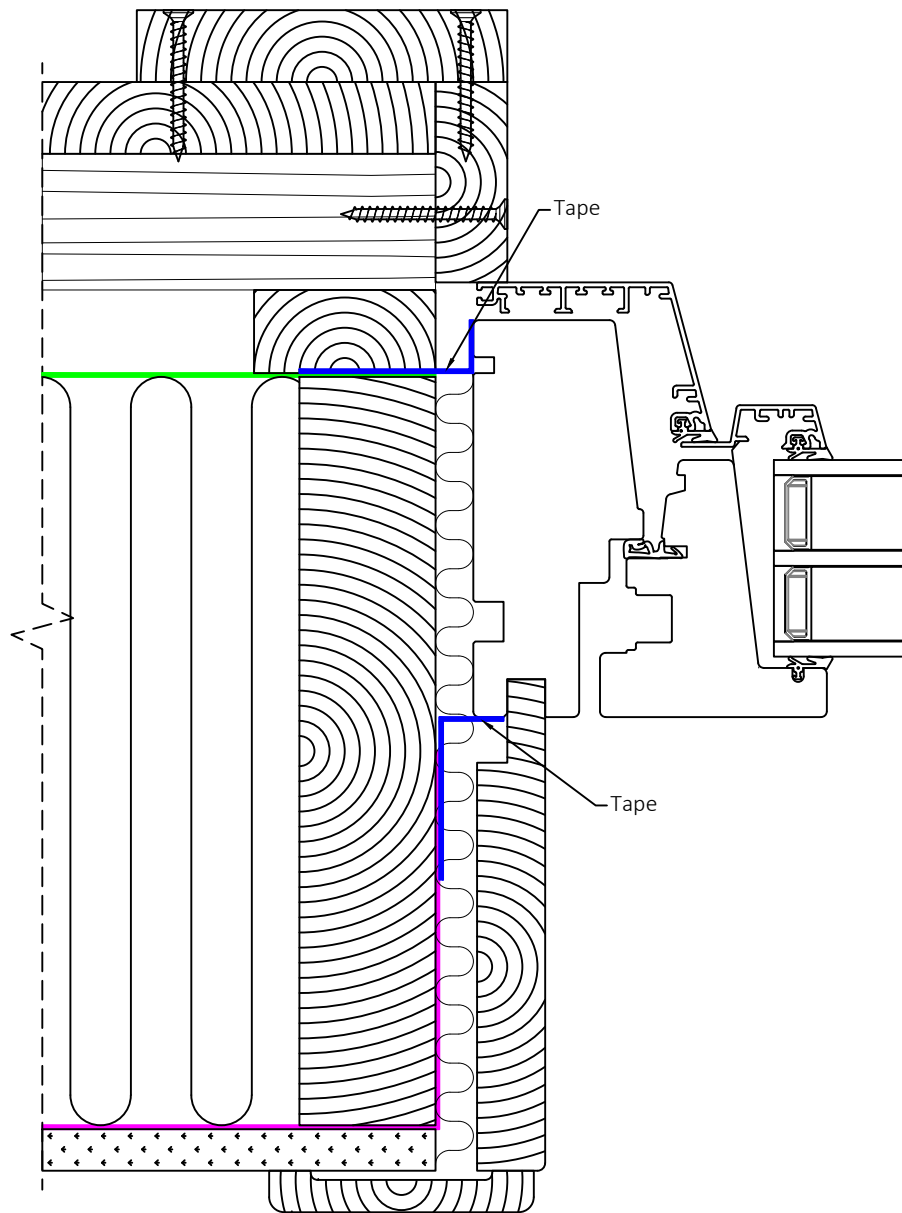


Date.	Design.	Approved.	Ver. no.	Rev. date.	Scale.	Tolerance. ±0,2mm. Any different are defined at drawing	Drawing no.
19.4.2024	KS	-	2	7.11.2025	1:2		Installation Stud-work wall

Natre Egde Innadslående tre/alu (tverrsnitt over)
Prinsippsskisse montering i vegger av bindingsverk

natre
VINDUER

Natre Vinduer AS
Engenvein 1
2827 HUNNDALEN
NORWAY

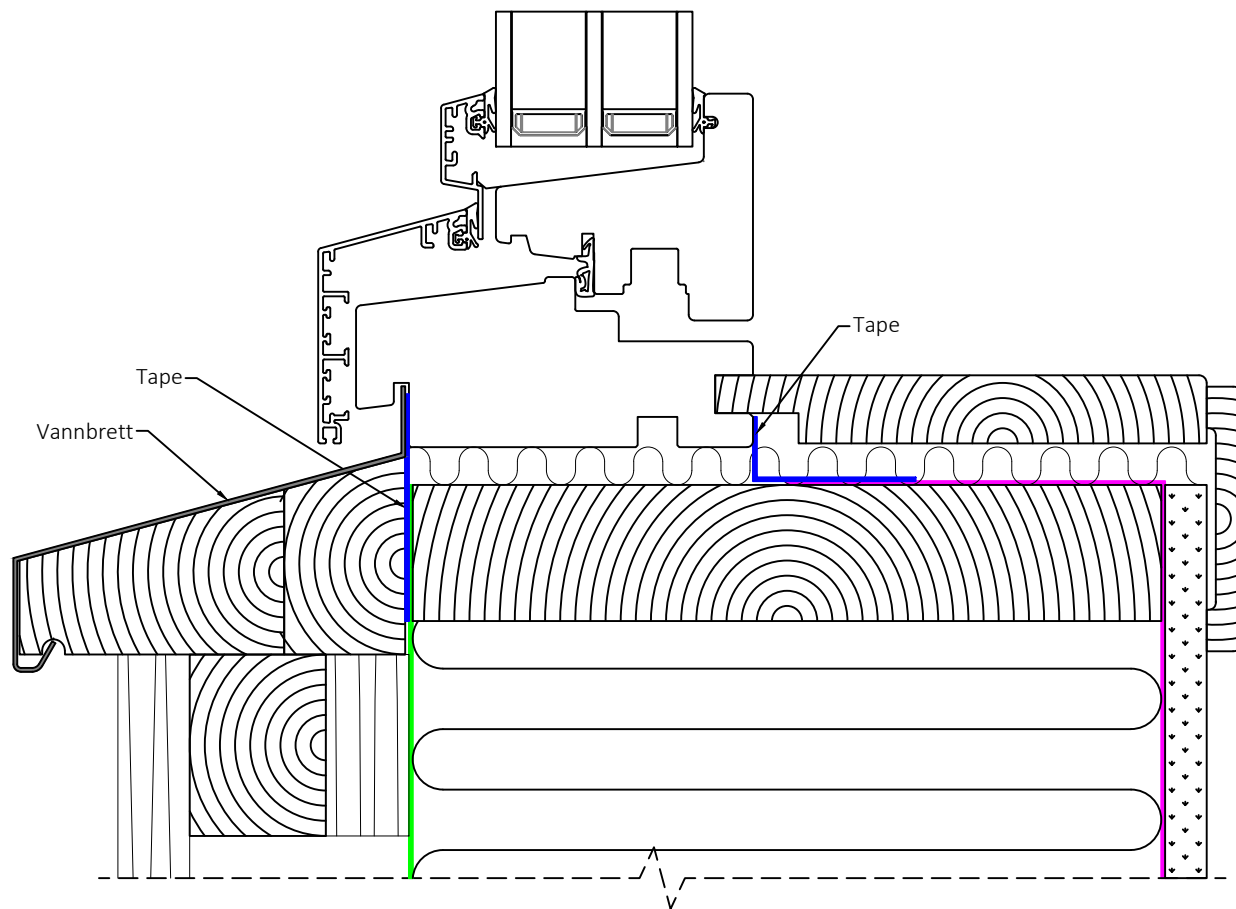


Date. 19.4.2024	Design. KS	Approved. -	Ver. no. 2	Rev. date. 7.11.2025	Scale. 1:2	Tolerance. $\pm 0,2\text{mm}$. Any different are defined at drawing	Drawing no. Installation Stud-work wall
--------------------	---------------	----------------	---------------	-------------------------	---------------	--	--

Natre Edge Innadslående tre/alu (tverrsnitt side)
Prinsippsskisse montering i vegger av bindingsverk

natre
VINDUER

Natre Vinduer AS
Engenvein 1
2827 HUNNDALEN
NORWAY



Date.	Design.	Approved.	Ver. no.	Rev. date.	Scale.	Tolerance. $\pm 0,2\text{mm}$.	Drawing no.
19.4.2024	KS	-	2	7.11.2025	1:2	Any different are defined at drawing	Installation Stud-work wall

Natre Edge Innadslående tre/alu (tverrsnitt under)
Prinsippskisse montering i vegger av bindingsverk

natre
VINDUER

Natre Vinduer AS
Engenvein 1
2827 HUNNDALEN
NORWAY